

ADVANCED HIGH CEILING

4" Cylinder Series - Standard



4-inch aperture high lumen cylinder with lumen output 1580 – 6070lm. Additional features include optional Glowing Ring and ColorFlip™ tunable white.

- ColorFlip™ (Please refer to Tunable White Version spec sheet)

Utilize latest flip chip technology for optimum efficacy, delivering consistent high lumen output with 105LPW at CRI85+ when color tuning from 2700K to 6500K. Compatible to all 0-10V and DMX dimming controls.

Quantity	Type
Project	Note

Electrical System

- 1580lm (15W)
- 2370lm (25W)
- 2850lm (35W)
- 4575lm (45W)
- 6070lm (65W)
- Power Input: Universal (120-277V)
- Operating Temperature: -13°F~104°F
- Surge Protection: 2.5KV

LED Technology

- 2700K, 3000K, 3500K, 4000K, 5000K
- 85 CRI, 75 CRI, 93 CRI
- Beam Angle: 15°, 25°, 35°, 60° (with diffuser)
- Glowing Ring Option
- Rated Life > 60,000 Hours (L70)

Advanced Dimming

(Proprietary VX Driver is incorporated to all dimming options for video flicker-free lighting)

- **DMX:** high resolution 4,096 steps to <0.1%
- **Standard 0-10V:** dims to 10%
- **Superior 0-10V:** dims to less than 1%

- **15W/25W/35W/45W only:**
- **TRIAC:** Line-voltage phase control, dims to 1% (120V only)
- **3-wire:** LUTRON Hi Lume 3-wire, dims to 1%
- **ECOsysteM:** LUTRON Hi Lume ECOsysteM, dims to 1 %

Housing

- Diameter: 4.8" (122mm)
- Height: 12.6" (320mm)
- Material: Aluminum
- Weight: 8 lbs

Mounting

- Surface Mount
- Stem 2ft or 4ft; 45° Swivel Canopy Included
- Adjustable Aircraft Cable 10ft
- Wall Mount
- Yoke Mount

Warranty

- 5 year limited warranty

Listing

- UL Damp Location Listed
- CE



4" Cylinder Series - Standard





How To Specify:

Ordering Example: 4CS-45-408-UNV-DMX-25-STD-BLK-SUM

4-5 weeks lead time on over 75% of specifications.

Model	Wattage	CCT / CRI	Voltage	Dimming																																										
4CS			UNV																																											
4CS 4" Cylinder	<table border="0"> <tr><td>15</td><td>15W</td></tr> <tr><td>25</td><td>25W</td></tr> <tr><td>35</td><td>35W</td></tr> <tr><td>45</td><td>45W</td></tr> <tr><td>65*</td><td>65W</td></tr> </table> <p><small>*Option is not compatible with TRIAC, ECO and 3-wire.</small></p>	15	15W	25	25W	35	35W	45	45W	65*	65W	<table border="0"> <tr><td>278</td><td>2700K / CRI85</td></tr> <tr><td>308</td><td>3000K / CRI85</td></tr> <tr><td>358</td><td>3500K / CRI85</td></tr> <tr><td>408</td><td>4000K / CRI85</td></tr> <tr><td>507</td><td>5000K / CRI75</td></tr> <tr><td>279</td><td>2700K / CRI93</td></tr> <tr><td>309</td><td>3000K / CRI93</td></tr> <tr><td>359</td><td>3500K / CRI93</td></tr> </table>	278	2700K / CRI85	308	3000K / CRI85	358	3500K / CRI85	408	4000K / CRI85	507	5000K / CRI75	279	2700K / CRI93	309	3000K / CRI93	359	3500K / CRI93	<table border="0"> <tr><td>UNV</td><td>120-277V</td></tr> </table>	UNV	120-277V	<table border="0"> <tr><td>SPV</td><td>Superior 0-10V <1%</td></tr> <tr><td>STV</td><td>Standard 0-10V <10%</td></tr> <tr><td>DMX</td><td>DMX <0.1% (XLR Sockets)</td></tr> <tr><td>DMX(RJ45)</td><td>DMX <0.1% (RJ45 Sockets)</td></tr> <tr><td>TRC¹</td><td>TRIAC <1% (120V ONLY)</td></tr> <tr><td>ECO¹</td><td>LUTRON ECOsystem</td></tr> <tr><td>3WIR¹</td><td>LUTRON 3-wire <1%</td></tr> </table> <p><small>¹ Option not available for 65W.</small></p>	SPV	Superior 0-10V <1%	STV	Standard 0-10V <10%	DMX	DMX <0.1% (XLR Sockets)	DMX(RJ45)	DMX <0.1% (RJ45 Sockets)	TRC¹	TRIAC <1% (120V ONLY)	ECO¹	LUTRON ECOsystem	3WIR¹	LUTRON 3-wire <1%
15	15W																																													
25	25W																																													
35	35W																																													
45	45W																																													
65*	65W																																													
278	2700K / CRI85																																													
308	3000K / CRI85																																													
358	3500K / CRI85																																													
408	4000K / CRI85																																													
507	5000K / CRI75																																													
279	2700K / CRI93																																													
309	3000K / CRI93																																													
359	3500K / CRI93																																													
UNV	120-277V																																													
SPV	Superior 0-10V <1%																																													
STV	Standard 0-10V <10%																																													
DMX	DMX <0.1% (XLR Sockets)																																													
DMX(RJ45)	DMX <0.1% (RJ45 Sockets)																																													
TRC¹	TRIAC <1% (120V ONLY)																																													
ECO¹	LUTRON ECOsystem																																													
3WIR¹	LUTRON 3-wire <1%																																													

Beam Angle	Rim Finish	Finish	Mounting	Accessories																												
<table border="0"> <tr><td>15</td><td>15°</td></tr> <tr><td>25</td><td>25°</td></tr> <tr><td>35</td><td>35°</td></tr> <tr><td>60*</td><td>60° (with diffuser)</td></tr> </table> <p><small>*Please factor in change in lumen output with diffuser (-20% with 60°; -12% with other degrees).</small></p>	15	15°	25	25°	35	35°	60*	60° (with diffuser)	 <p>STD Without Ring</p>  <p>GLR Glowing Ring</p>	<table border="0"> <tr><td>BLK</td><td>Black</td></tr> <tr><td>WHT</td><td>White</td></tr> </table>	BLK	Black	WHT	White	<table border="0"> <tr><td>SUM</td><td>Surface Mount</td></tr> <tr><td>ST2</td><td>Stem 2ft</td></tr> <tr><td>ST4</td><td>Stem 4ft</td></tr> <tr><td>AD10</td><td>Adjustable Aircraft Cable 10ft</td></tr> <tr><td>WLM*</td><td>Wall Mount</td></tr> <tr><td>YKM</td><td>Yoke Mount</td></tr> </table> <p><small>*Option is not compatible with DMX.</small></p>	SUM	Surface Mount	ST2	Stem 2ft	ST4	Stem 4ft	AD10	Adjustable Aircraft Cable 10ft	WLM*	Wall Mount	YKM	Yoke Mount	<table border="0"> <tr><td>DF*</td><td>Diffuser</td></tr> <tr><td>EMP</td><td>Remote Emergency Pack</td></tr> </table> <p><small>*Please factor in change in lumen output with diffuser (-20% with 60°; -12% with other degrees).</small></p>	DF*	Diffuser	EMP	Remote Emergency Pack
15	15°																															
25	25°																															
35	35°																															
60*	60° (with diffuser)																															
BLK	Black																															
WHT	White																															
SUM	Surface Mount																															
ST2	Stem 2ft																															
ST4	Stem 4ft																															
AD10	Adjustable Aircraft Cable 10ft																															
WLM*	Wall Mount																															
YKM	Yoke Mount																															
DF*	Diffuser																															
EMP	Remote Emergency Pack																															

4" Cylinder Series - Standard

Delivered Lumens*

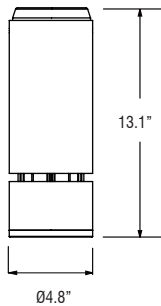
Wattage \ CCT	15W	25W	35W	45W	65W
	Beam Angle: 25°				
5000K	1580 lm	2370 lm	2850 lm	4575 lm	6070 lm
4000K	1500 lm	2205 lm	2690 lm	4305 lm	5650 lm
3500K	1460 lm	2180 lm	2620 lm	4210 lm	5590 lm
3000K	1380 lm	2060 lm	2480 lm	3980 lm	5280 lm
2700K	1338 lm	1990 lm	2400 lm	3720 lm	5120 lm

*Tolerance ± 8%

Current Consumption

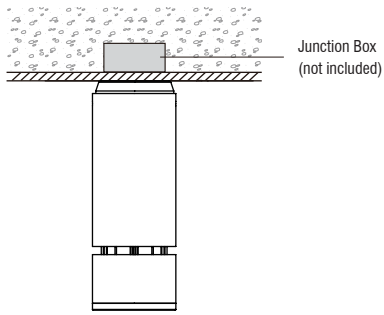
Wattage \ Volt	120V	277V
15W	0.17A	0.08A
25W	0.23A	0.11A
35W	0.34A	0.15A
45W	0.45A	0.20A
65W	0.64A	0.29A

Dimensions

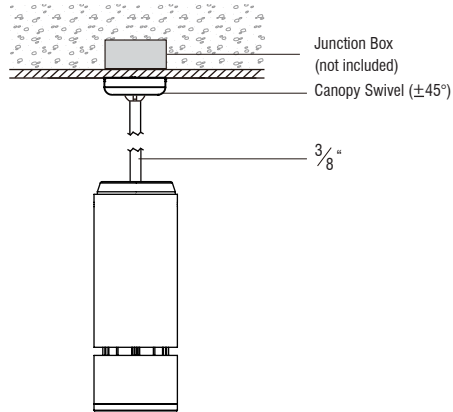


4" Cylinder Series - Standard

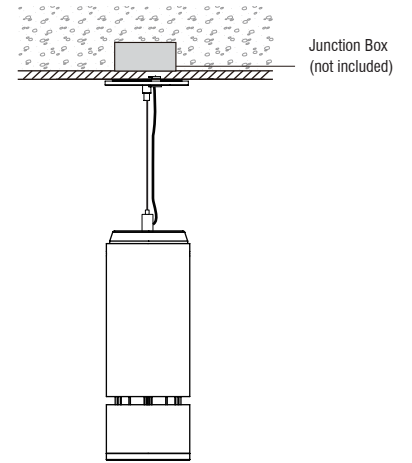
Mounting Options



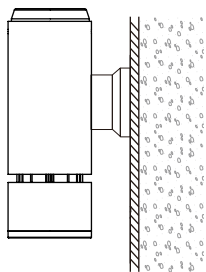
Surface Mount



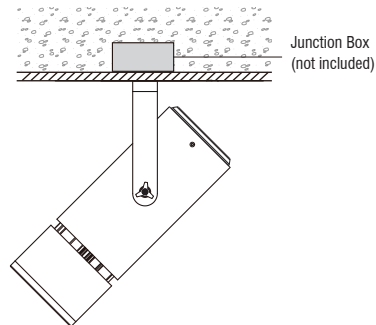
Stem



Adjustable Aircraft Cable



Wall Mount



Yoke Mount

4" Cylinder Series - Standard



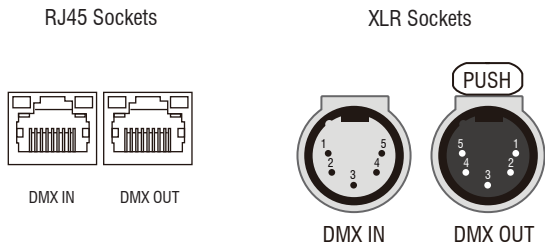
DMX Requirements*

The 4" Cylinder LED fixture with DMX is a ONE CHANNEL DMX unit.

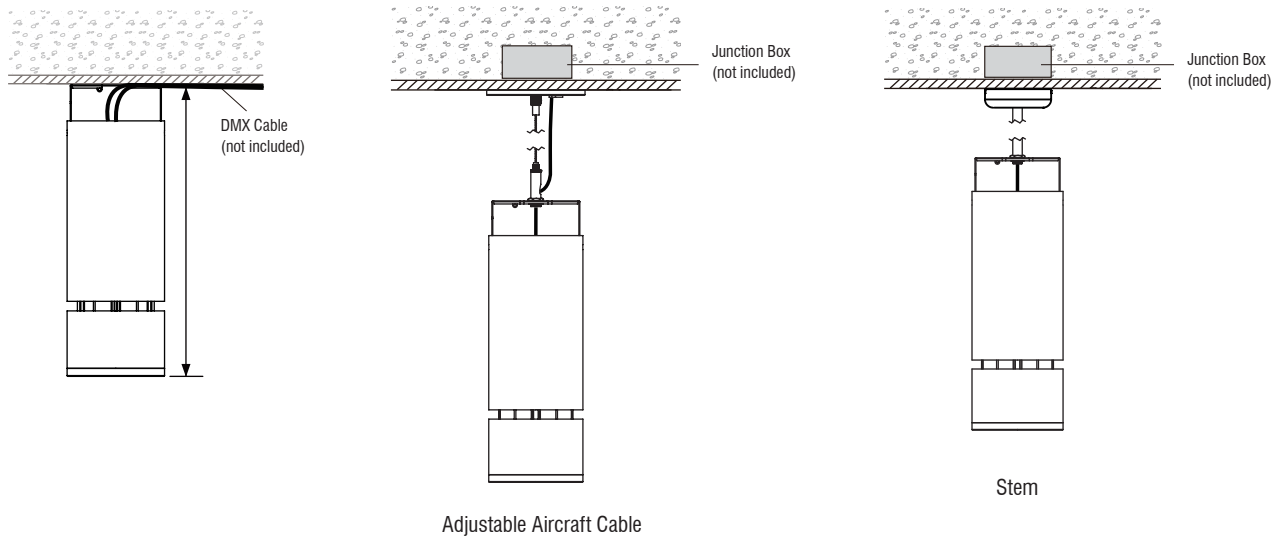
When placing order, please indicate DMX address. (The DMX address will be listed on the back of the fixture.)

The LED fixture provide RJ45 Socket or XLR socket to connect. (DMX cable NOT included.)

The final fixture should be terminated by the use of DMX Terminator (by others).



CONNECTION	RJ45 (CAT5e)	5-PIN XLR
Common	WHITE/BROWN(PIN7) & BROWN(PIN 8)	PIN 1
Signal -	ORANGE(PIN 2)	PIN 2
Signal +	WHITE/ORANGE(PIN 1)	PIN 3
Spare	-	PIN 4
Spare	-	PIN 5



Compatible TRIAC Dimmer List

LUTRON PART NO.

MRF2-6ND-120	HQRD-6NA	RRD-10ND	SZ-6ND
RRD-6NA	HQRD-6ND	HQRD-10ND	-

4" Cylinder Series - Standard



Emergency Pack Lumen Output Table

CCT	2700K	3000K	4000K	5000K
Lumen	1640 lm	1760 lm	1890 lm	1950 lm

Remote Emergency Pack

